



OWNER'S MANUAL

464™ LEVER ACTION RIMFIRE LEVER ACTION RIFLE

IMPORTANT "SAFETY WARNINGS" — NOTE THE SYMBOL:



THESE SAFETY WARNINGS ARE FOR YOUR PROTECTION AS WELL AS THE SAFETY OF OTHERS. DISREGARDING INFORMATION IN THIS MANUAL MAY RESULT IN SERIOUS INJURY OR DEATH.



Be certain this owner's manual is available for reference and is kept with this firearm if transferred to another party. If this manual is lost or misplaced, contact Mossberg for a free replacement copy.



After performing any work on your firearm such as cleaning, adjustments, disassembly or installation of any accessory, the firearm should be re-checked for proper functioning before firing live ammunition.



Firearms are complicated mechanisms. Any modification, alteration, or improper fitting of parts may result in a dangerous malfunction, damage to the firearm and injury to the shooter and/or those around you. The firearm's owner must accept full responsibility for the correct reassembly and functioning of the firearm after any disassembly or replacement of parts.



If you do not understand any of the material in this manual or have any questions, contact Mossberg or a qualified gunsmith.



Do not attempt to load or use any firearm until you have read and understood the information contained in its owner's manual. Before handling your firearm, you should learn how it operates and how to maintain it. This includes knowing its basic parts, how the manual safety and other safety features operate, how to safely open and close the action, and how to safely load and unload ammunition from the firearm. Improper use and handling is dangerous and could cause serious injury or death to you or those around you. All users of the firearm must become thoroughly familiar with the instructions in this manual.

O.F. MOSSBERG & SONS, INC.

P.O. BOX 497 • 7 GRASSO AVENUE, NORTH HAVEN, CT 06473

PHONE (800) 363-3555

www.mossberg.com

Safety and safe firearms handling is everyone's responsibility.



As the owner of a firearm, you must undertake the full-time responsibility of safe firearms handling for your own safety and the safety of those around you:

- Keep all firearms and ammunition out of the reach of children.
- Store your firearms and ammunition separately.
- Never store a loaded firearm.
- Never leave a loaded firearm unattended.
- Never transport a loaded firearm in a vehicle.
- Unload your firearm when you have stopped shooting and when you have to climb a tree, fence, cross a slippery surface or have to transport it in a vehicle.
- Do not load your firearm before you are in a place where it is safe to shoot, and keep your finger off the trigger until you are on target and have decided to fire.
- Never shoot at water, rocks or any hard surfaces. Bullets may glance off such surfaces and cause injuries.
- Do not use alcohol or drugs before or while handling firearms.
- Do not touch the trigger while the safety button is being engaged or disengaged.



Always point the muzzle of your firearm in a safe direction, regardless of whether the firearm is loaded or unloaded.



Always treat every firearm as if it were loaded. Give your firearm to someone with the action open and the safety button pushed fully rearward in the "ON" (SAFE) position, after you verify the firearm is unloaded. Insist on the same procedure when receiving a firearm from someone else. Learn the location of all the safety features of your firearm and how they operate.



Wear eye and ear protection when shooting. Shooting without proper ear protection can cause hearing damage. The use of eye protection during any type of shooting is important to protect your vision.



When using a firearm with mounted optics, maintain an adequate distance between the rear of the scope and your face at all times. Be certain the scope installation does not interfere with access to, or the proper functioning of the safety button.



WE SPECIFICALLY DISCLAIM ANY RESPONSIBILITY FOR DAMAGE OR INJURY WHATSOEVER OCCURRING IN CONNECTION WITH, OR AS A RESULT OF, THE USE OF FAULTY, OR NON-SAAMI STANDARD, OR "REMANUFACTURED," OR HAND LOADED (RELOADED) AMMUNITION. ADDITIONALLY, WE DISCLAIM ANY RESPONSIBILITY FOR DAMAGE OR INJURY WHICH RESULTS FROM ANY MODIFICATIONS OR CHANGES THAT ARE NOT A PART OF THE FIREARM AS DELIVERED FROM THE FACTORY.



Learn to clean your firearm thoroughly and make certain no oil, grease or other materials are blocking the barrel. Obstructions of any kind can cause damage to the firearm and may result in serious personal injury to the shooter and/or others nearby.



Practice proper firearm maintenance and safety. Make sure all exposed metal surfaces are coated with a thin film of oil, especially after being exposed to damp weather. (See proper section of this manual for cleaning instructions.) Do not plug the barrel or store in a fabric-lined case which will absorb lubricants from the firearm. Before using after storage, follow complete instructions stated in this manual for refamiliarization with the firearm. A thorough inspection and function test should be performed before going into the field. Have your firearm periodically checked by a qualified gunsmith.

A note about the warnings and information contained in this Manual:

We strongly suggest that you check with your local licensed retailer or state police for additional information concerning firearms ownership, or hunting or target shooting rules that may be required by local law or regulation. Since such rules and regulations are subject to change, local authorities are in the best position to advise you on such matters.

TABLE OF CONTENTS

	Page
Unpacking Your New Rimfire Lever Action Rifle	4
General Information and Mechanical Characteristics	4
Mechanical Safety Features	4
To Load and Unload the Rifle	6
Firing	7
Disassembly/Assembly	8
Cleaning and Lubrication	8
Function Testing	9
Sight Adjustment	10
Hammer Extension	11
Precautions and Care with your Rifle	11
Service Instructions	12
Warranty Information	13
Parts List	14
Exploded View	15
<i>Basic Rules of Safe Firearms Handling</i>	Back Cover

OPERATING INSTRUCTIONS



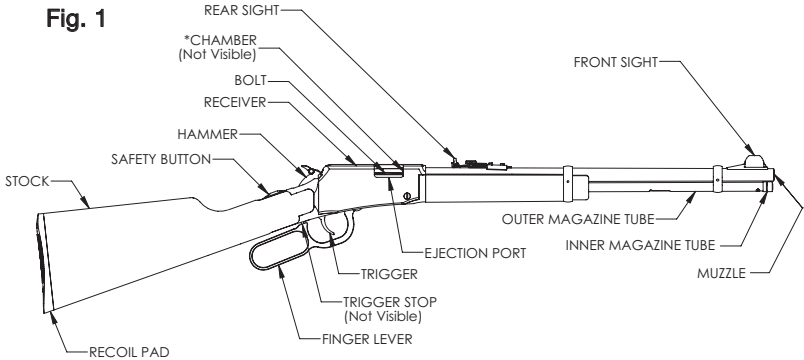
Read and understand this entire manual and its safety warnings before handling this firearm.

UNPACKING YOUR NEW RIMFIRE LEVER ACTION RIFLE

When shipped from the factory the rifle has a protective coat of oil on its metal parts. Before using the rifle, visually and physically inspect the inside of the barrel to be sure it is free of any excess oil, grease or any obstructions. Obstructions of any kind can cause damage to the firearm and may result in serious personal injury to the shooter and/or others nearby.

GENERAL INFORMATION AND MECHANICAL CHARACTERISTICS

The 464™ Rimfire Lever Action is designed to operate ONLY with the caliber inscribed on the barrel.



*The chamber is the rear most part of the barrel. It can be seen when the bolt is in the “open” position.

MECHANICAL SAFETY FEATURES

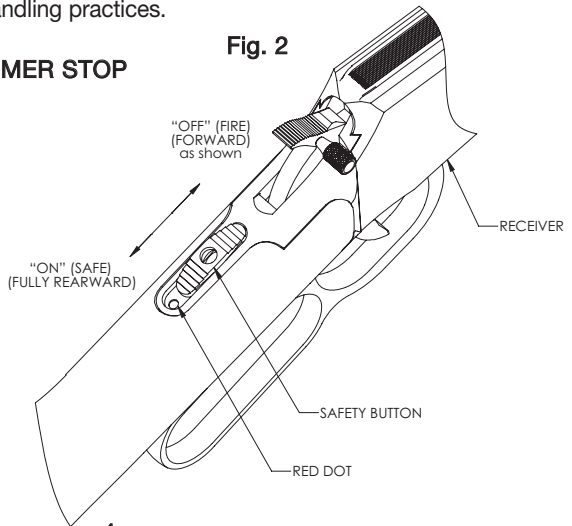
The safety button is located on the top rear portion of the receiver (Fig. 2) and must be manually moved to the desired position by the shooter.



Remember, a firearm’s manual safety is a mechanical device which can never replace safe firearm handling practices.

SAFETY BUTTON AND HAMMER STOP

The manual safety, when engaged, prevents the hammer from striking the firing pin. When the safety is in the “ON” (SAFE) position, and the trigger is pulled fully to its rearward position, the hammer will partially fall (shown in fig. 2), but will not strike the firing pin. When the safety is in the “OFF” (FIRE) position, and the trigger is pulled fully to its rearward position, the hammer will fall through its full range of motion and strike the firing pin.



To put the safety in the “ON” (SAFE) position, the safety button must be moved fully rearward to the safety detent. The button will now cover the red dot. The red dot is a training aid used only to show the direction of the “ON” (SAFE) position and should not be used as an indicator that the safety is “ON” or “OFF.” Moving the safety button forward toward the muzzle of the rifle will put the safety in the “OFF” (FIRE) position.



Never rely on any mechanical mechanism or safety device to prevent the dangers of careless handling or pointing a firearm in an unsafe direction.

TRIGGER STOP

The 464™ Rimfire Lever Action is fitted with a trigger stop (Fig. 1).



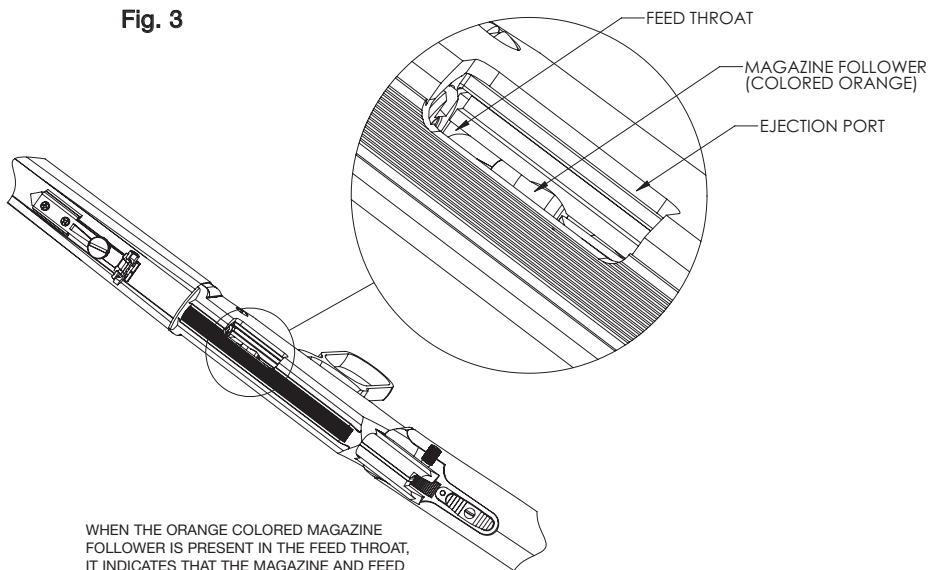
The trigger stop is a mechanical means of ensuring that the bolt is fully closed before discharging the rifle. **It is not a safety**, and should not be relied upon to prevent accidental discharge of the rifle.

The trigger stop is actuated by the finger lever and helps prevent discharge of the firearm when the bolt is not fully closed. When the lever is closed but not held tight to the stock, the trigger stop blocks the trigger motion, preventing the trigger from moving fully to its rearward position. Pulling the finger lever tight to the stock releases the trigger stop and allows the trigger to travel fully to its rearward position. If the safety button is in the “OFF” (FIRE) position and the trigger is pulled to its full rearward position, the hammer will strike the firing pin and fire the rifle if a round is in the chamber.

TO CHECK THAT THE RIFLE IS UNLOADED

With the action open, check the chamber and feed throat to be sure the rifle is unloaded. To check the feed throat, look down through the ejection port. If no rounds are present in the magazine or feed throat the orange magazine follower will be visible projecting into the feed throat (Fig. 3)

Fig. 3



WHEN THE ORANGE COLORED MAGAZINE FOLLOWER IS PRESENT IN THE FEED THROAT, IT INDICATES THAT THE MAGAZINE AND FEED THROAT ARE EMPTY.

TO LOAD AND UNLOAD THE RIFLE

The 464™ Rimfire Lever Action has a magazine capacity of 14 rounds. The rifle is designed to operate ONLY with the caliber round inscribed on the barrel.

LOADING A SINGLE CARTRIDGE



During loading, never allow fingers or any objects to contact the trigger. Keep the muzzle pointed in a safe direction at all times.

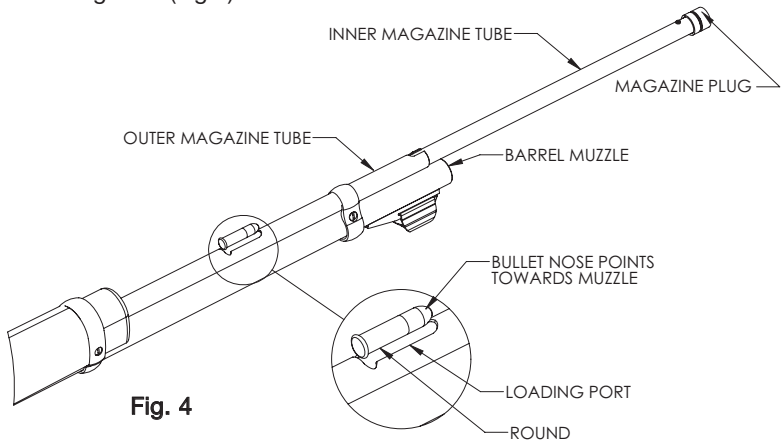
Keep the rifle pointed in a safe direction. Make sure the safety button is fully rearward in the “ON” (SAFE) position. With the action open, check the chamber and feed throat as described above, to be sure the rifle is unloaded. Tilt the muzzle downward and start the nose of the round in the chamber. Release the round and allow it to drop fully into the chamber. Close the action by pulling the finger lever up.



Do not touch the trigger until you are on target and have decided to fire.

LOADING THE MAGAZINE

Cartridges are loaded into the magazine through the loading port on the underside of the outer magazine (Fig 4).



Keep the rifle pointed in a safe direction. Make sure the safety button is in the “ON” (SAFE) position. Open the action, and check the chamber and feed throat as described above, to be sure the rifle is unloaded (Fig 3). Keeping the action open, turn the rifle upside down. Push down on the magazine plug and turn the inner magazine tube counter-clockwise to unlock from the outer magazine tube. Slide the inner magazine out far enough to uncover the loading port in the outer magazine tube. Tilt the muzzle upwards. Load the bullets through the loading port allowing them to slide towards the receiver. The bullets must be oriented with the nose pointed towards the rifle muzzle in order to pass through the loading port (Fig 4). Load the desired number of rounds (14 max). Carefully slide the inner magazine tube fully into the outer magazine tube and turn it clockwise to lock it in place. The inner tube is under increasing spring force as it is slid into the outer magazine tube, so use caution. Turn the rifle right side up. A round will be visible in the feed throat. If no round is placed directly into the chamber, the action must be closed and then opened and closed once to chamber a round.



Do not touch the trigger until you are on target and have decided to fire.

UNLOADING THE RIFLE

Make sure the safety is in the “ON” (SAFE) position. Open the action. If a round is in the chamber, it will be ejected. Before proceeding, check the chamber to be sure it is empty. Keeping the action open, point the muzzle upwards. Turn the inner magazine tube counterclockwise to unlatch it and slide it completely out of the outer magazine tube. Turn the rifle upside down and tilt the muzzle downward allowing the rounds to slide out of the magazine into a suitable container. Replace the inner magazine tube. Cycle the action several times. This will eject any round left in the magazine, feed throat or chamber. With the action open, check the chamber and feed throat to be certain the rifle is unloaded (Fig. 3).



After unloading, always visually and physically inspect that there are no cartridges in the chamber, magazine or feed throat.

As a safety procedure, every time shooting has stopped or the rifle is unloaded, move the safety button fully rearward to the “ON” (SAFE) position and move the lever to the open position.

FIRING



Discharging firearms in poorly ventilated areas, cleaning firearms, and/or handling ammunition may result in exposure to lead and/or other substances known to cause birth defects, reproductive harm, and/or other serious physical injury. Have adequate ventilation at all times. Wash hands thoroughly after exposure.

Keep the rifle pointed in a safe direction and the safety in the “ON” (SAFE) position. Chamber a round as described under the “TO LOAD AND UNLOAD THE RIFLE” section of this manual.

With the rifle pointed in a safe direction and held in a proper firing position, move the safety button fully forward to its “OFF” (FIRE) position. Squeeze the lever tight against the stock. (This releases the trigger stop). Pull the trigger through its full travel to the rear to fire the rifle.



Should any round fail to fire, keep the firearm pointed in a safe direction and move the safety button fully rearward to the “ON” (SAFE) position. Wait a few moments and then remove the misfired round and keep separate from other ammunition. Do not attempt to refire a misfired round.



If at any time during firing, the sound of any round is noticeably louder or softer than the previous rounds fired, **STOP!** Do not load or fire additional rounds until you have put the safety in the “ON” (SAFE) position and safely unloaded your firearm. Inspect the firearm for possible damage or obstructions in the chamber or bore. (The bore is the inside surface of the barrel.) Firing the rifle with a bore obstruction can cause damage to the firearm and may result in serious personal injury to the shooter and/or others nearby.

After firing, pulling the finger lever fully open and fully closed will eject the spent round and chamber the next live round. The rifle is again ready to fire.

DISASSEMBLY/ASSEMBLY

Normal maintenance of your Mossberg 464™ Rimfire Lever Action does not require any disassembly. Service beyond cleaning and lubrication should be performed by a qualified gunsmith or an authorized Product Service Center only.

CLEANING AND LUBRICATION

With proper care, your Mossberg 464™ Rimfire Lever Action will provide you with years of dependable service. Your firearm should be inspected and cleaned periodically to ensure that it remains in good condition. Clean your firearm as soon as possible after use. This is especially important if your firearm has been exposed to moisture. For maximum performance and continued satisfaction with your firearm, periodic cleaning and lubrication are essential. Wear eye protection during cleaning.



Always be sure that the safety button is fully rearward in the “ON” (SAFE) position (Fig. 2) and that the rifle is unloaded by visually and physically checking the chamber, and feed throat (Fig. 3) before cleaning your rifle. Wear eye protection during cleaning.

Follow the instructions and use the equipment provided in a quality gun cleaning kit.

All metal parts should be cleaned with an appropriate gun cleaning solvent and lightly lubricated with gun oil. Over lubrication should be avoided. Use only lubricants specially designed for firearms. Avoid the use of abrasives, which may damage the metal finish.

Normal use requires only that the mechanisms be free of excessive shooting residue. Very little lubrication other than a light oiling of the action and external surfaces is needed to prevent rust.

If the rifle is to be stored for a long period of time, it should be thoroughly cleaned and oiled. Do not plug the barrel or store the firearm in a case that will absorb lubricants.

CLEANING THE BARREL

Follow the instructions and use the equipment provided in a quality gun cleaning kit.

To clean the barrel, moisten the correct caliber (caliber is inscribed on the barrel) brass cleaning brush with solvent and insert it into the barrel from the muzzle end. Care must be taken not to damage the muzzle. Scrub the barrel several times muzzle to breach, getting all the way down to clean the chamber.

Use the correct caliber cleaning rod with a clean cloth patch to wipe the bore dry. Repeat several times, using a new patch each time, until barrel is clean and shows no signs of residue. A final pass with a lightly oiled patch will provide a protective coating.



Make sure the barrel is free of obstructions and excessive lubricant after cleaning. Be sure not to leave cleaning patches or excessive oil or grease in the bore as they can create dangerous obstructions. Obstructions of any kind can cause damage to the firearm and may result in serious personal injury to the shooter and/or others nearby.

LUBRICATING THE ACTION

Apply a few small drops of oil on the following surfaces (Fig. 5):

- a. Along the bolt surfaces.
- b. The bolt guide rails.
- c. Finger lever pivot

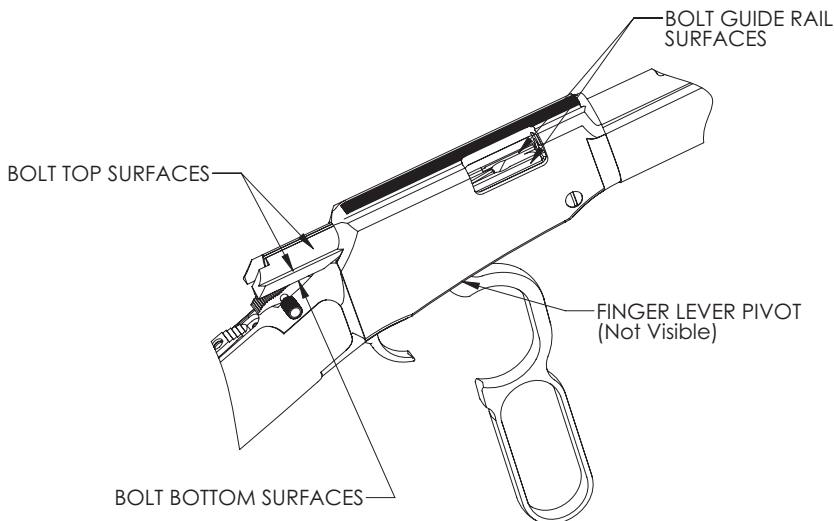


Fig. 5

FUNCTION TESTING



AFTER PERFORMING ANY WORK ON YOUR FIREARM SUCH AS CLEANING, DISASSEMBLY OR INSTALLATION OF AN ACCESSORY:

- a. Move the safety button fully rearward to the “ON” (SAFE) position and keep the muzzle pointed in a safe direction.
- b. **Open the action and visually and physically inspect the chamber, and feed throat to be certain the firearm is unloaded (Fig. 3).**

Keep the safety button fully rearward in the “ON” (SAFE) position. Keep the muzzle pointed in a safe direction. Open and close the lever several times to check for free movement of the action assembly.

Close the lever and leave the safety button fully rearward in the “ON” (SAFE) position. With the lever held loosely (not tight against the stock), try pulling the trigger. The trigger should not move fully rearward and the hammer should not fall.

Keep the safety button fully rearward in the “ON” (SAFE) position. Squeeze the lever tight against the stock and pull the trigger. The trigger should move fully rearward. The hammer should only partially fall and not strike the firing pin. (As a check, keep squeezing the lever tight against the stock and pulling the trigger fully rearward. Try to push the hammer forward. You should not be able to push the hammer forward and make contact with the firing pin).

Release the trigger and cycle the action. Move the safety button forward to the “OFF” (FIRE) position. Make certain the firearm is pointed in a safe direction. Squeeze the lever tight to the stock and pull the trigger. The hammer should fall through its full range of motion and strike the firing pin. (As a check, keep squeezing the lever tight against the stock and pulling the trigger fully rearward. Try to push the hammer forward. You should be able to push the hammer forward and make contact with the firing pin).

When you have completed the function testing, open the action and move the safety fully rearward to the “ON” (SAFE) position.



IF YOUR FIREARM DOES NOT PERFORM AS DESCRIBED IN ANY OF THE PREVIOUS STEPS, CONTACT THE FACTORY AUTHORIZED PRODUCT SERVICE CENTER IMMEDIATELY. DO NOT ATTEMPT TO USE THE FIREARM.



Firearms are complicated mechanisms. Any modification, alteration, or improper fitting of parts may result in a dangerous malfunction, damage to the firearm and injury to the shooter and /or those around you. The firearm’s owner must accept full responsibility for the correct reassembly and functioning of the firearm after any disassembly or replacement of parts.

SIGHT ADJUSTMENT

BEFORE MAKING ANY SIGHT ADJUSTMENT:



- a. Move the safety button fully rearward to the “ON” (SAFE) position and keep the muzzle pointed in a safe direction.
- b. Open the action, visually and physically check the chamber and feed throat to be certain the firearm is unloaded (Fig. 3).

REAR SIGHT ADJUSTMENT

The elevation of the rear sight blade can be raised by turning the height adjustment screw clockwise (Fig. 6) To lower the elevation, turn the height adjustment screw counterclockwise.

Windage is adjusted by moving the rear sight blade to the left or to the right. To move the blade to the right, turn the windage screw clockwise (Fig. 6). To move it to the left, turn the windage screw counterclockwise.

Remember: Move the rear sight in the same direction you would want the shot to move. For example, if the point of impact is low and to the left from the point of aim, move the rear sight upward and to the right.

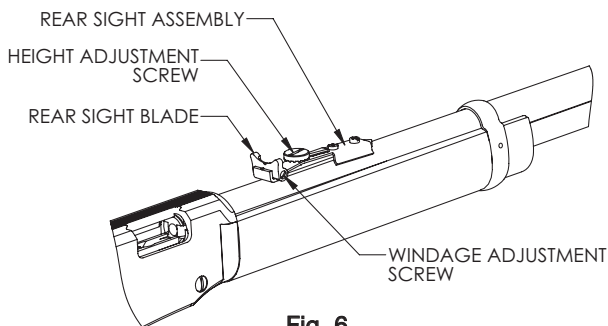


Fig. 6

HAMMER EXTENSION

The Model 464™ Rimfire Lever Action is supplied with a hammer extension. The hammer extension can be used when a scope is mounted to the rifle. It extends from the side of the hammer and makes it easier to operate the hammer. It can be mounted either in the right hand or left hand position.

Before installing, place a drop of thread locking compound on the threaded end of the hammer extension. Insert the threaded end of the hammer extension into the threaded hole in the right or left side of the hammer. (Right-handed shooters usually prefer mounting on the right side of the hammer). Hand tighten the hammer extension into the hammer, (Fig. 7).

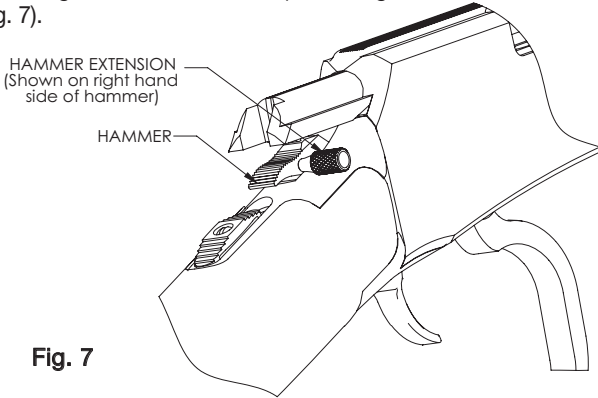


Fig. 7

PRECAUTIONS AND CARE WITH YOUR RIFLE

When you store your rifle, make sure that the magazine, feed throat and the chamber are empty. Keep the action open. We strongly urge you to use the lock shipped with this firearm. The lock fits over the lever and trigger and keeps the action open. To fit the lock, turn the key to the unlock position and separate both halves. Place the left half over the lever and trigger as shown in Fig. 8a. Slide the right half over the left half pins and turn the key to the lock position (Fig 8b).

Fig. 8a

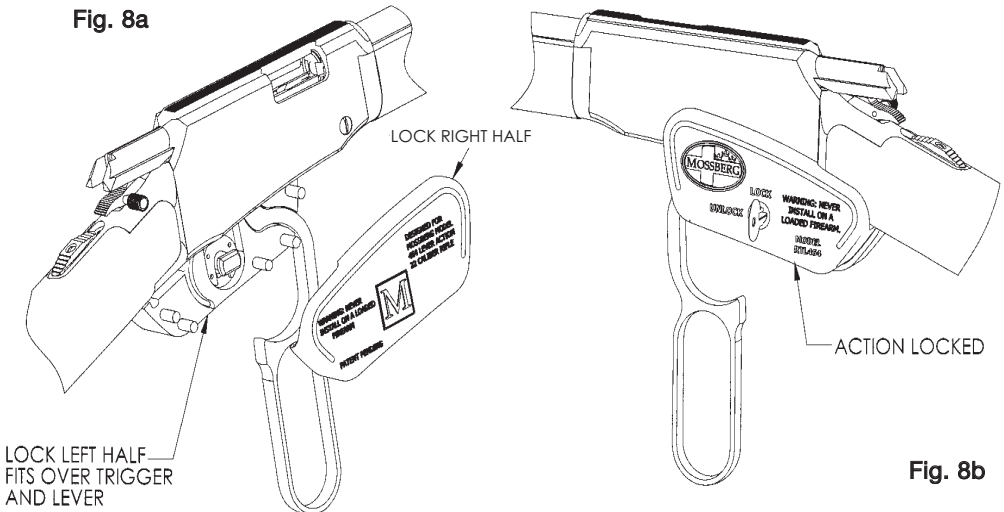


Fig. 8b

Handling leaves finger prints that can cause metal parts to rust. Abrupt changes in temperature can cause condensation and moisture. Wipe the barrel and other metal parts with light oil after handling.

SERVICE INSTRUCTIONS

Should your firearm, or any component of your firearm require service, ship your entire firearm (please do not send components only), via your chosen carrier, postage paid (we do not accept C.O.D. shipments), following these instructions:

- **Make absolutely certain your firearm is unloaded.**
- **Do not send ammunition with your firearm.**
- Remove all accessories from your firearm such as scopes, slings, mounts, etc.
- Ship your firearm in a suitable container, packaging it securely to prevent parts from shifting and/or harm during shipping.
- Include a note with a clear description of the service you wish us to perform, your complete return shipping address (no P.O. boxes please), your daytime telephone number and your e-mail address (if available). It is advisable to place your correspondence inside your shipping container when shipping.

SHIPPING ADDRESS

Product Service Center
Maverick Arms, Inc.
1001 Industrial Blvd.
Eagle Pass, TX 78853
Attention: Repair

If you have any questions, please call the Product Service Center at (800) 363-3555 or service@mossberg.com.

TO ORDER PARTS

To order parts from our Product Service Center, you can fax, phone, mail, or e-mail your order to us at one of the following numbers/addresses.

Fax Number: (830) 773-5893
Phone Number: (800) 363-3555
E-mail Address: service@mossberg.com
Mailing Address: Product Service Center
Maverick Arms, Inc.
1001 Industrial Blvd.
Eagle Pass, TX 78853
Attention: Order Department

Please provide your name, street address, city, state, zip, daytime phone number and e-mail address. We will need the Model #, Serial #, Gauge/Caliber, Finish, Part # and Part Name. We have a \$7.50 (U.S.) minimum parts order charge. We accept most major credit cards, money orders, and bank drafts.

Service outside of the U.S.A.

For Mossberg firearm parts and service requirements outside of the United States, customers are requested to contact the closest Mossberg stocking dealer/distributor.

MOSSBERG WARRANTY

464™ RIMFIRE LEVER ACTION

TWO (2) YEAR LIMITED WARRANTY

Limited Warranty: O.F. Mossberg & Sons, Inc. (“Mossberg”) warrants to you, the original retail purchaser of a new Mossberg® 464™ Rimfire Lever Action (the “Mossberg firearm”), that the Mossberg firearm will be free of defects in material or manufacture for a period of two (2) years from the date of your purchase of the new Mossberg firearm (the “Warranty Period”) in the United States or Canada. This is the only express warranty on the Mossberg firearm. MOSSBERG MAKES NO OTHER WARRANTIES OF ANY KIND OR CONDITIONS, INCLUDING, BUT NOT LIMITED TO ANY IMPLIED WARRANTY OF MERCHANTABILITY OR FITNESS FOR A PARTICULAR PURPOSE. This Limited Warranty gives you specific legal rights, and you may have other rights that vary from State to State.

Purchaser's Remedy: During the Warranty Period, Mossberg will, at its sole option, (1) repair the Mossberg firearm or any part thereof that, upon examination and testing by Mossberg, does not conform to the Limited Warranty without charge to you for parts or labor, or (2) replace the Mossberg firearm with a new or similar model. THIS REMEDY SHALL BE YOUR EXCLUSIVE AND SOLE REMEDY FOR ANY BREACH OF WARRANTY. MOSSBERG SHALL NOT BE RESPONSIBLE FOR ANY OTHER EXPENSES, LOSSES OR INCONVENIENCE THAT YOU MAY SUSTAIN AS A RESULT OF THE PURCHASE, USE, MALFUNCTION OR DEFECTIVE CONDITION OF THE MOSSBERG FIREARM. Mossberg reserves the right to inspect, examine and/or test the Mossberg firearm to assess any claim made under the Limited Warranty.

EXCLUSIONS: THIS WARRANTY DOES NOT COVER THE COSMETIC APPEARANCE OF THE MOSSBERG FIREARM OR ANY DAMAGE CAUSED BY:

- (1) NORMAL WEAR AND TEAR;
- (2) FAILURE TO PERFORM PROPER CARE AND MAINTENANCE;
- (3) ACCIDENTS, ABUSE OR NEGLIGENCE;
- (4) BARREL OR BORE OBSTRUCTIONS;
- (5) FAILURE TO FOLLOW THE INSTRUCTIONS AND WARNINGS THAT ACCOMPANY THE MOSSBERG FIREARM; OR
- (6) THE USE OF DEFECTIVE, NON-SAAMI STANDARD, REMANUFACTURED, HAND-LOADED, AND/OR RELOADED AMMUNITION.

IN ADDITION, ANY UNAUTHORIZED REPAIRS, ALTERATIONS OR MODIFICATIONS TO THE MOSSBERG FIREARM WILL AUTOMATICALLY VOID THE LIMITED WARRANTY.

LIMITATION OF DAMAGES: EXCEPT WHERE PROHIBITED BY LAW, MOSSBERG WILL NOT BE LIABLE FOR ANY LOSS OR DAMAGE WHATSOEVER ARISING FROM THE USE OF THIS MOSSBERG FIREARM, WHETHER DIRECT, INDIRECT, SPECIAL, INCIDENTAL, CONSEQUENTIAL OR PUNITIVE, REGARDLESS OF THE LEGAL THEORY ASSERTED, INCLUDING CONTRACT, WARRANTY, NEGLIGENCE, OR STRICT LIABILITY. SOME JURISDICTIONS DO NOT ALLOW LIMITATIONS ON HOW LONG AN IMPLIED WARRANTY LASTS, OR THE EXCLUSION OF INCIDENTAL OR CONSEQUENTIAL DAMAGES, SO THE ABOVE LIMITATIONS MAY NOT APPLY TO YOU.

Warranty Service: To obtain service under this Limited Warranty, you must follow the instructions found in the “Service Instructions” section of the Owner’s Manual and return the Mossberg firearm to the authorized Product Service Center. You are responsible for all shipping costs to the Product Service Center. Mossberg will not accept COD shipments of any Mossberg firearm for service. After repair or replacement, the Mossberg firearm or a similar model will be returned to you, return postage paid by Mossberg. If we replace the Mossberg firearm, we will keep the firearm that you returned to Mossberg.

Modification of Warranty: No agent, representative, distributor, or authorized dealer of Mossberg firearms has any authority to modify the terms or conditions of the Limited Warranty in any way. The Limited Warranty may only be modified in writing by an authorized officer of Mossberg.

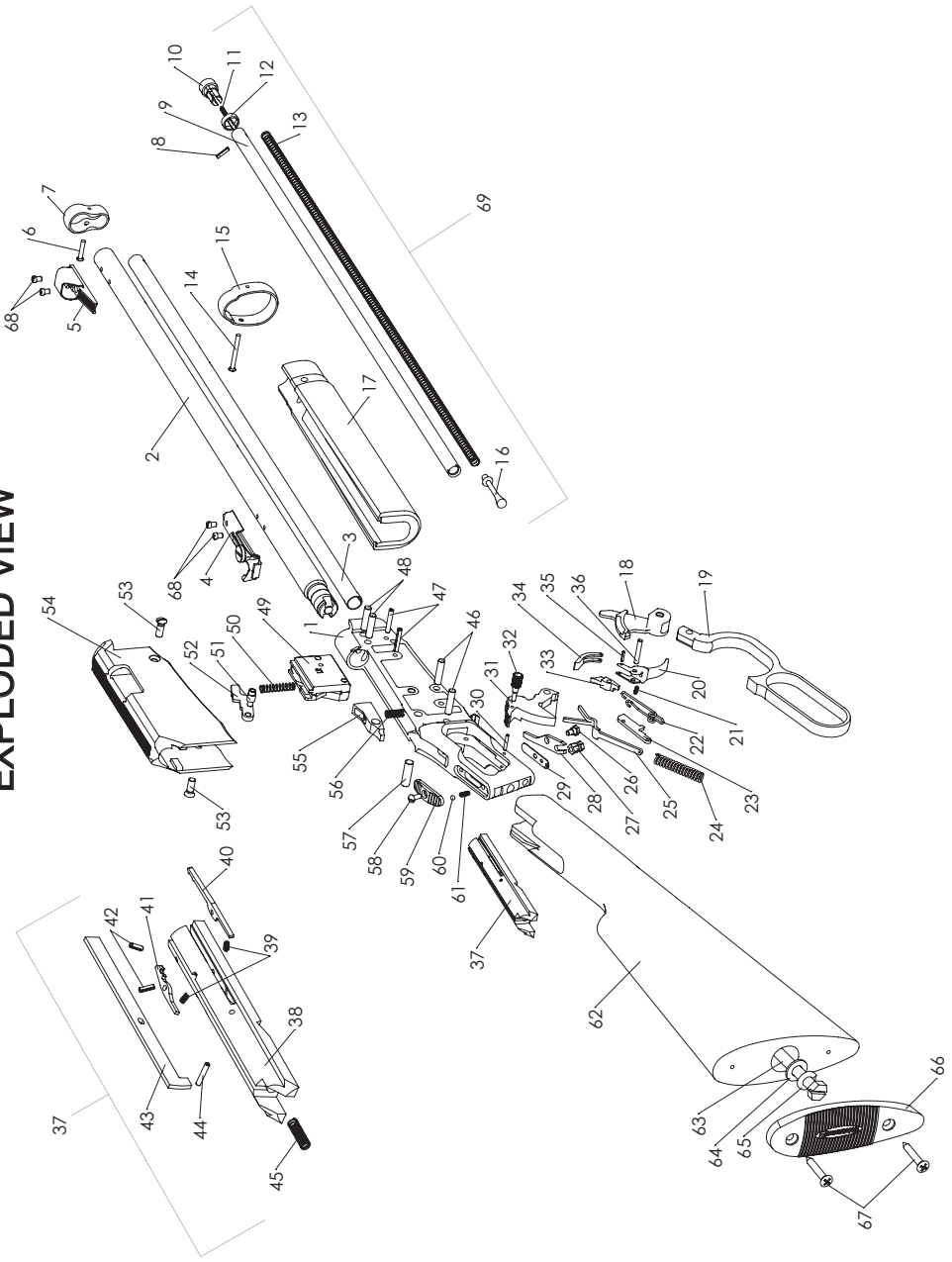
THIS LIMITED WARRANTY IS EFFECTIVE JANUARY 1, 2008.

464™ RIMFIRE LEVER ACTION PARTS LIST

ITEM NO.	DESCRIPTION	ITEM NO.	DESCRIPTION	ITEM NO.	DESCRIPTION
1*	RECEIVER	28*	SAFETY ARM	55*	BOLT LOCK
2*	BARREL	29*	SAFETY DETENT PLATE	56*	BOLT LOCK SPRING
3	OUTER MAGAZINE TUBE	30	TRIGGER STOP PIN	57*	BOLT LOCK PIN
4	REAR SIGHT ASSEMBLY	31*	HAMMER	58*	SAFETY BUTTON SCREW
5	FRONT SIGHT ASSEMBLY	32	HAMMER EXTENSION	59*	SAFETY BUTTON
6	FRONT BAND SCREW	33*	SEAR	60*	SAFETY BUTTON DETENT BALL
7	FRONT BARREL BAND	34	HAMMER BLOCK	61*	SAFETY BUTTON SPRING
8	MAGAZINE PLUG PIN	35	HAMMER BLOCK PIN	62	STOCK
9	INNER MAGAZINE TUBE	36	TRIGGER/SEAR PIN	63	STOCK BOLT
10	MAGAZINE PLUG	37*	BOLT ASSEMBLY	64	FLAT WASHER
11	MAGAZINE LOCK SPRING	38*	BOLT	65	LOCK WASHER
12	MAGAZINE LOCK	39	EXTRACTOR SPRING (2)	66	BUTT PLATE
13	MAGAZINE SPRING	40	EXTRACTOR, RIGHT	67	BUTT PLATE SCREW
14	REAR BAND SCREW	41	EXTRACTOR LEFT	68	SIGHT SCREW (4)
15	REAR BARREL BAND	42	EXTRACTOR PIN (2)	69	INNER MAGAZINE TUBE ASSEMBY
16	MAGAZINE FOLLOWER	43*	FIRING PIN		
17	FOREARM	44	FIRING PIN RETAINING PIN		
18	FINGER LEVER CAM	45*	FIRING PIN SPRING		
19	FINGER LEVER	46	FINGER LEVER PIN (2)		
20	TRIGGER	47	MAGAZINE TUBE PIN (2)		
21	TRIGGER SPRING	48	BARREL PIN (2)		
22	TRIGGER STOP SPRING	49*	FEED THROAT ASSEMBLY		
23	TRIGGER STOP	50	CARRIER SPRING		
24*	HAMMER SPRING	51*	CARRIER PIN		
25	HAMMER SPRING STRUT	52	CARRIER		
26*	SAFETY PIVOT SCREW	53	TAKE DOWN SCREW (2)		
27*	SAFETY ARM ACTUATOR	54	RECEIVER COVER		

* Items on parts list are reserved for qualified gunsmiths or the authorized Product Service Center only.

EXPLODED VIEW



FIREARMS SAFETY DEPENDS ON YOU. MAKE NO MISTAKE ABOUT IT!

From the time an individual picks up a firearm, that individual shooter becomes a part of a system over which he has complete control. He is the only part of the system that can make a gun safe – or unsafe. Hunting and target shooting are among the safest of all sports. This booklet is intended to make them even safer – by re-emphasizing and reaffirming the basics of safe gun handling and storage and by reminding each individual shooter that he or she is the key to firearms safety. You can help meet this responsibility by enrolling in hunter safety or shooting safety courses. You must constantly stress safety when handling firearms, especially to children and non-shooters. Newcomers in particular must be closely supervised when handling firearms with which they may not be acquainted. Don't be timid when it comes to gun safety. If you observe anyone violating any safety precautions, you have an obligation to suggest safer handling practices, such as those in this booklet. Please read these rules carefully and follow the safety procedures outlined. Firearms safety is up to you. Make no mistake about it.

- 1. ALWAYS KEEP THE MUZZLE POINTED IN A SAFE DIRECTION**
- 2. FIREARMS SHOULD BE UNLOADED WHEN NOT ACTUALLY IN USE**
- 3. DON'T RELY ON YOUR GUN'S "SAFETY"**
- 4. BE SURE OF YOUR TARGET AND WHAT'S BEYOND IT**
- 5. USE CORRECT AMMUNITION**
- 6. IF YOUR GUN FAILS TO FIRE WHEN THE TRIGGER IS PULLED, HANDLE WITH CARE**
- 7. ALWAYS WEAR EYE AND EAR PROTECTION WHEN SHOOTING**
- 8. BE SURE THE BARREL IS CLEAR OF OBSTRUCTIONS BEFORE SHOOTING**
- 9. DO NOT ALTER OR MODIFY YOUR GUN, AND HAVE GUNS SERVICED REGULARLY**
- 10. LEARN THE MECHANICAL AND HANDLING CHARACTERISTICS OF THE FIREARM YOU ARE USING**

Courtesy of
Sporting Arms and Ammunition Manufacturers' Institute, Inc.