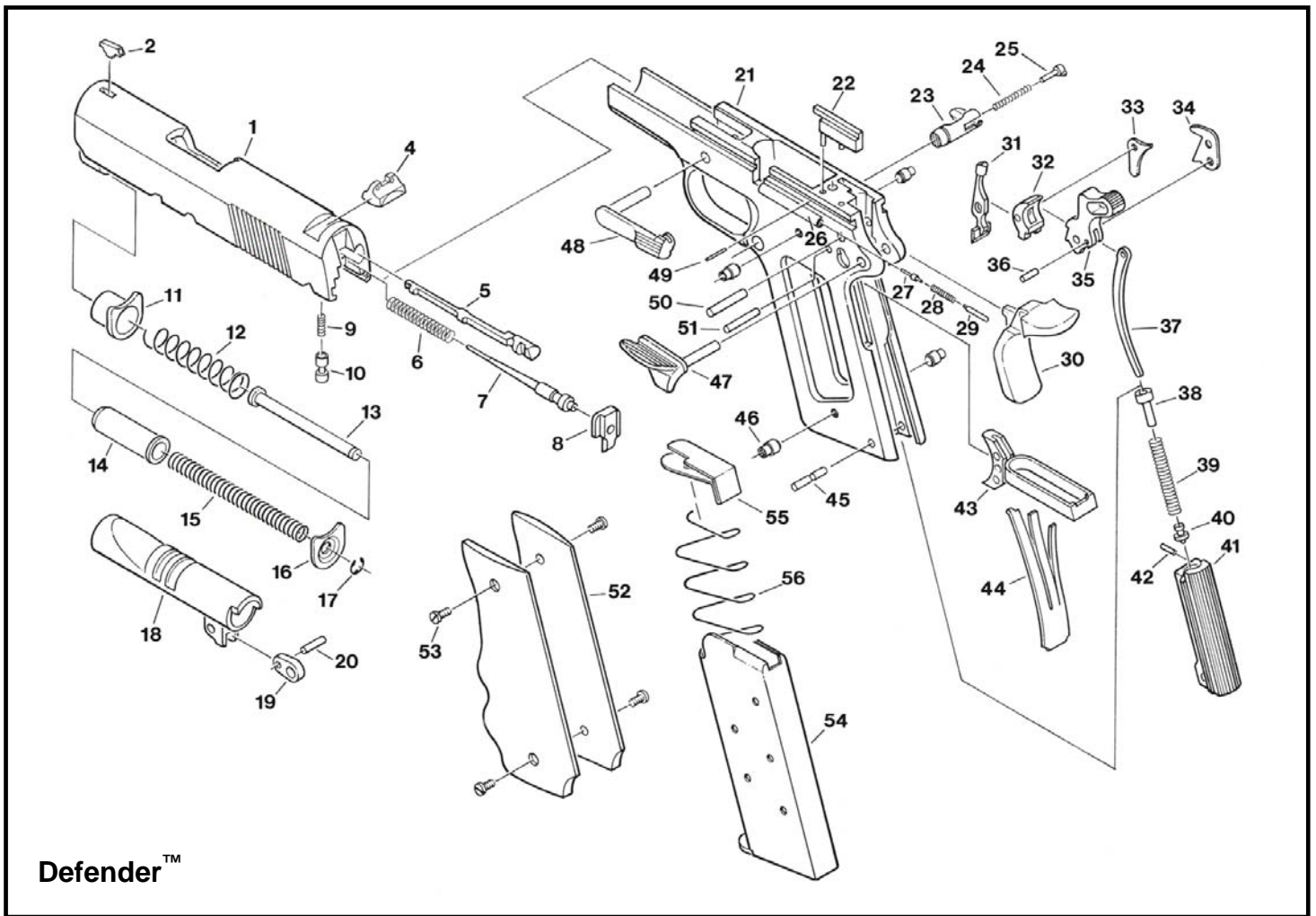


Defender / New Agent



Defender™

COLT DEFENDER / NEW AGENT DESCRIPTION

- | | | |
|-----------------------------|---------------------------|-----------------------------|
| 1. Slide | 19. Barrel Link | 39. Main Spring |
| 2. Front Sight | 20. Barrel Link Pin | 40. Housing Pin Retainer |
| 3. Rear Sight Screw | 21. Receiver | 41. Main Spring Housing |
| 4. Rear Sight | 22. Ejector | 42. Main Spring Cap Pin |
| 5. Extractor | 23. Magazine Catch | 43. Trigger Assembly |
| 6. Firing Pin Spring | 24. Magazine Catch Spring | 44. Sear Spring |
| 7. Firing Pin | 25. Magazine Catch Lock | 45. Main Spring Housing Pin |
| 8. Firing Pin Stop | 26. Plunger Tube | 46. Stock Screw Bushing (4) |
| 9. Plunger Spring F/P | 27. Slide Stop Plunger | 47. Safety Lock |
| 10. Firing Pin Plunger | 28. Plunger Spring | 48. Slide Stop |
| 11. Recoil spring bushing | 29. Safety Lock Plunger | 49. Ejector Pin |
| 12. Outer Recoil Spring | 30. Grip Safety | 50. Hammer Pin |
| 13. Recoil Spring Guide Rod | 31. Disconnect | 51. Sear pin |
| 14. Recoil Spring Cap | 32. Sear | 52. Stock set |
| 15. Inner Recoil Plunger | 33. Trigger Bar Lever | 53. Stock Screw |
| 16. Recoil Spring Cap | 34. Plunger Lever | 54. Magazine |
| 17. Recoil Cap Retainer | 35. Hammer | 55. Magazine Follower |
| 18. Barrel | 36. Hammer Strut Pin | 56. Magazine Spring |
| | 37. Hammer Strut | |
| | 38. Main Spring Cap | |

