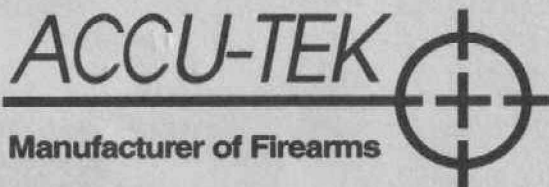
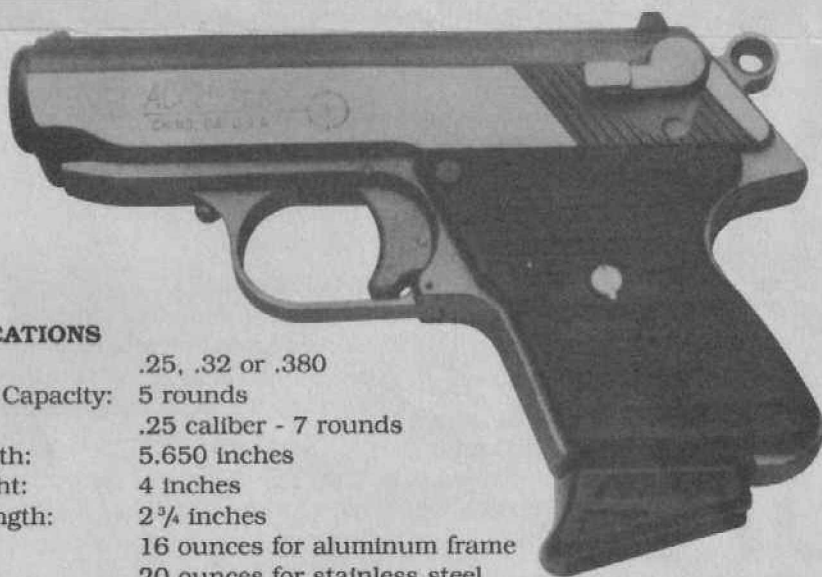


READ THIS MANUAL BEFORE USING THIS FIREARM INSTRUCTION AND SAFETY MANUAL



MODELS AT-25, AT-32, AT-380

This manual should always accompany this firearm and be transferred with it upon change of ownership.



SPECIFICATIONS

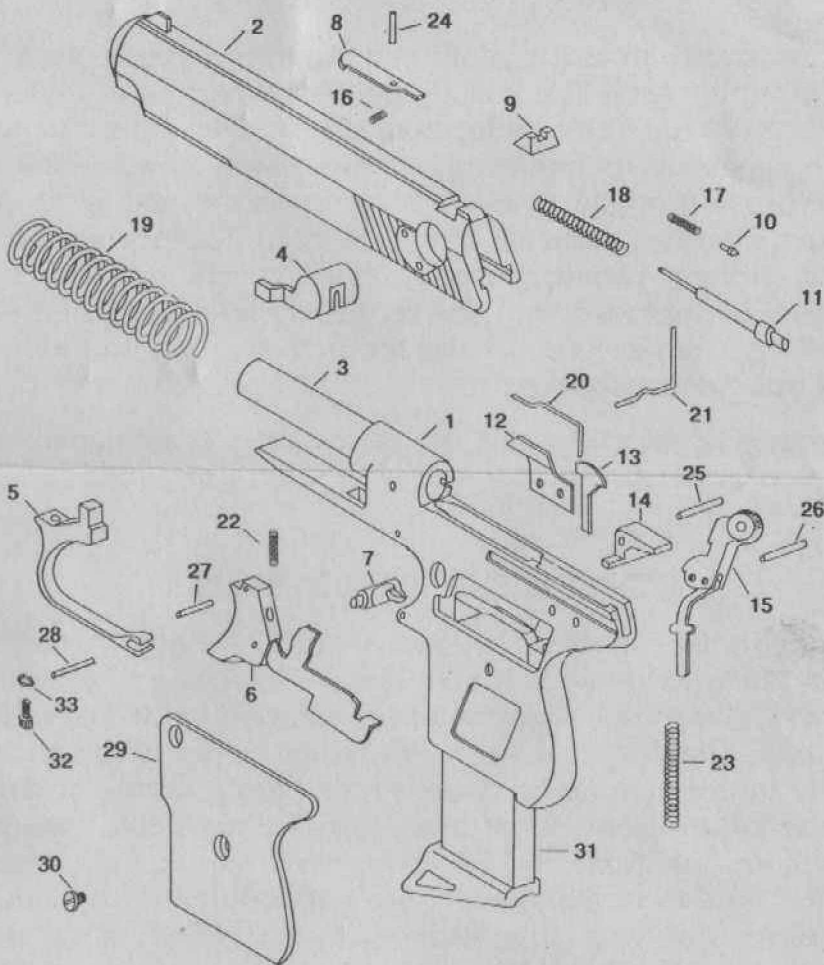
Caliber:	.25, .32 or .380
Magazine Capacity:	5 rounds .25 caliber - 7 rounds
O.A. Length:	5.650 inches
O.A. Height:	4 inches
Barrel Length:	2 $\frac{3}{4}$ inches
Weight:	16 ounces for aluminum frame 20 ounces for stainless steel

SAFETY AND BASIC RULES

Accu-Tek firearms are designed to prevent accidental discharge with the utmost security; however, handling firearms safely is your own personal responsibility. Neglect to follow basic firearms rules can cause serious injury or death to the handler or others. Read and follow these instructions to ensure safe operation of your firearm.

- Always treat every firearm as if it were loaded.
- Never point a firearm at anything you do not intend to shoot.
- Always be sure of your target and what is beyond your target.
- Never place your finger on the trigger until you are ready to shoot.
- Always keep your firearm pointed in a safe direction.
- Never allow your firearm to be used by anyone who has not read this instruction and safety manual.
- Always wear eye and ear protection when shooting.
- Never carry or store your firearm with the hammer in the cocked position.
- Always store your unloaded firearm and ammunition separately, locked if possible, and inaccessible to children and unauthorized persons.

PARTS ILLUSTRATION AND LIST



1	3801	Frame	19	3809	.380 Recoil Spring
2	3802	Slide		3209	.32 Recoil Spring
3	3806	.380 Barrel		2509	.25 Recoil Spring
	3206	.32 Barrel	20	3843	Magazine Catch Spring
	2506	.25 Barrel	21	3833	Sear Spring
4	3839	Manual Safety	22	3815	Trigger Spring
5	3820	Trigger Guard	23	3811	.380 .32 Hammer Spring
6	3846	Trigger Assembly		2511	.25 Hammer Spring
7	3808	Magazine Catch Button	24	3835	Extractor Pin
8	3832	Extractor	25	3822	Sear Pin
9	3818	Rear Sight	26	3824	Hammer Pin
10	3807	Safety Plunger	27	3841	Trigger Pin
11	3805	Firing Pin	28	3844	Trigger Guard Pin
12	3828	Ejector	29	3819	Grips
13	3836	Safety Disconnect Rod	30	3825	Grip Screws
14	3827	Sear	31	3849	.380 Magazine
15	3847	Hammer and Hammer Strut Assembly		3850	.32 Magazine
				3851	.25 Magazine
16	3813	Extractor Spring	32	3852	Trigger Guard Screw
17	3814	Safety Plunger Spring	33	3857	Trigger Guard Lock Washer
18	3812	Firing Pin Spring			

For current parts price list, send \$2.00 to factory to cover handling charges.

